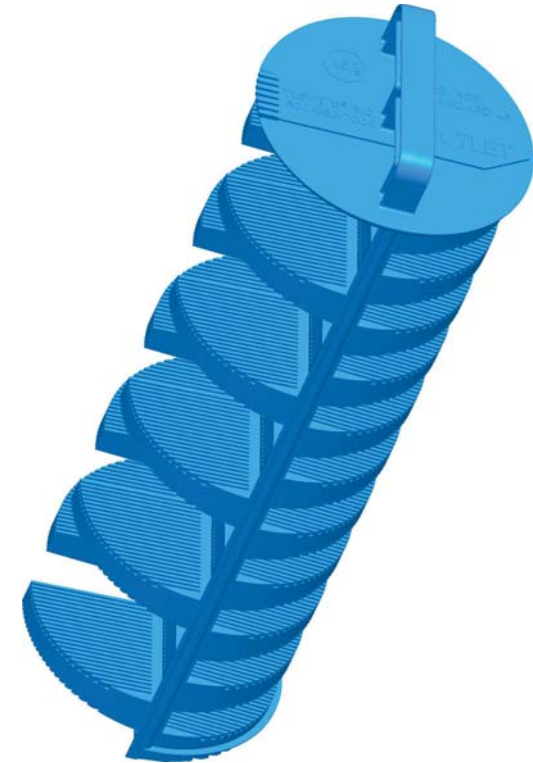
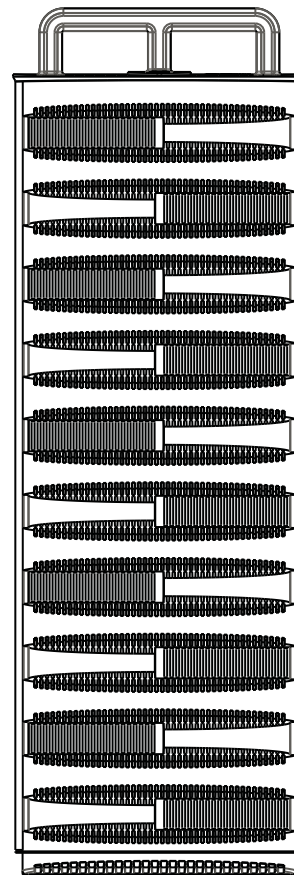
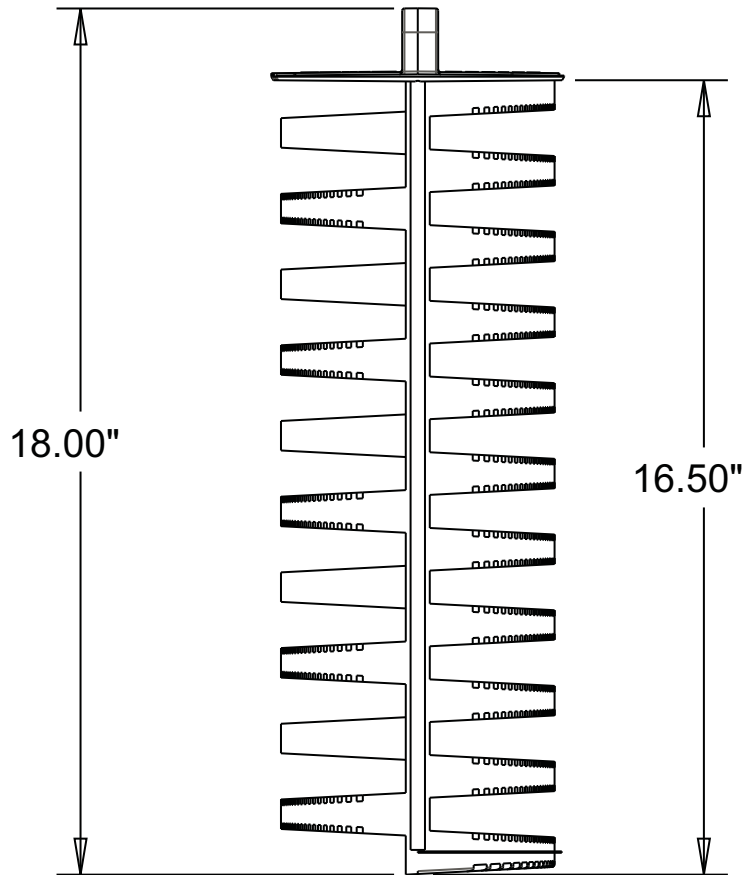


Ø 6.00"



Material: High-Impact Polypropylene
Color: Blue



Drainage and Septic Products

Tuf-Tite, Inc.
 1200 Flex Court
 Lake Zurich, Illinois 60047

TELEPHONE: 847.550.1011
 TOLL FREE: 800.382.7009
 FAX: 847.550.8004

PART NAME:
6" EFFLUENT FILTER

PART #:
EF-6