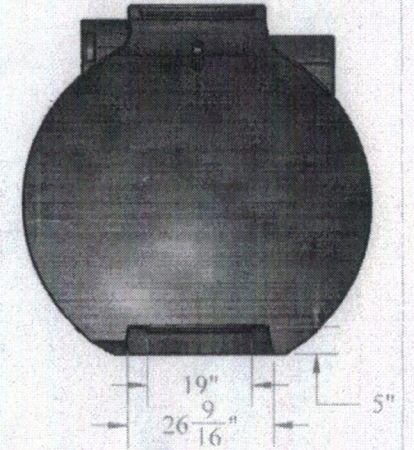
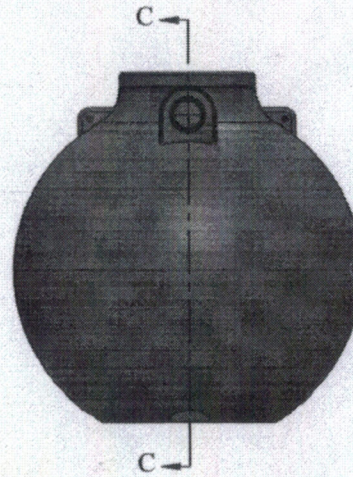
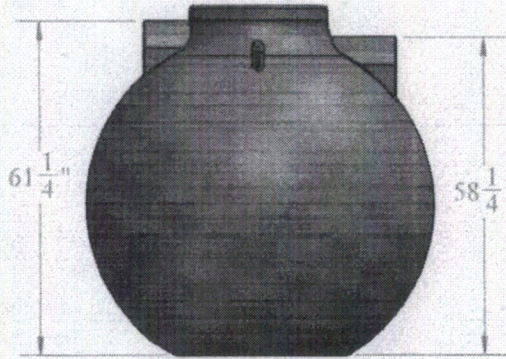
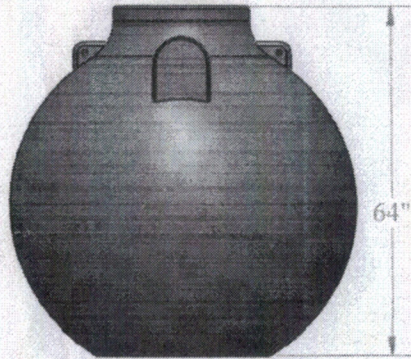
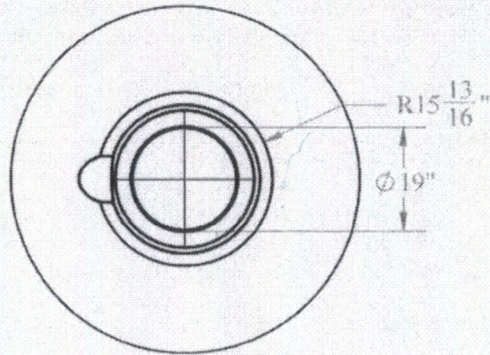
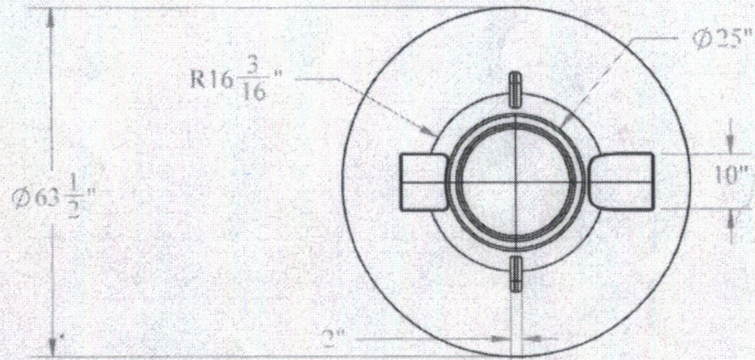


XACTICS

14-4475



SECTION C-C



5

4

3

2

1